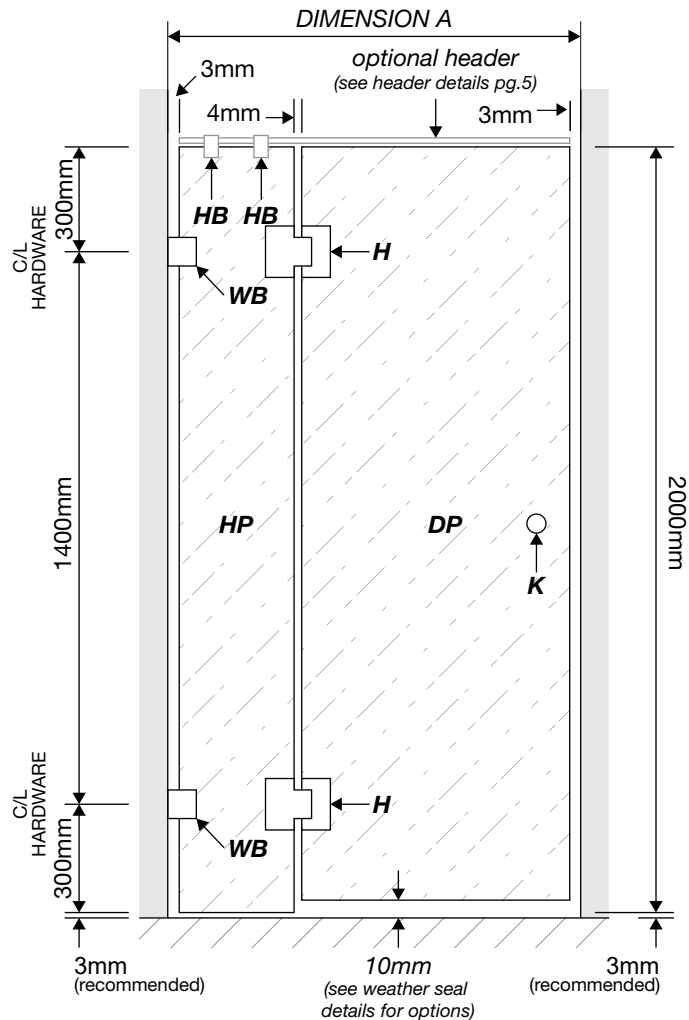


ELITE 2 PANEL A INLINE SHOWER SERIES (technical drawings)



LEGEND

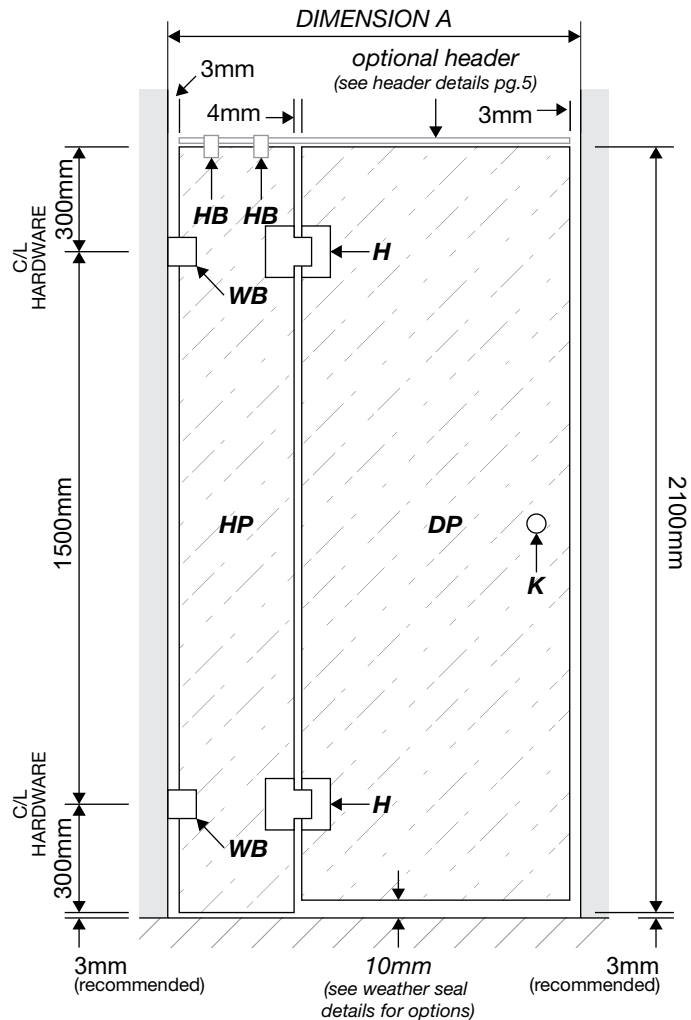
- DP** Shower screen door glass panel with hinge cutouts and hole for selected door knob (DP Glass Series).
- HP** Shower screen hinge glass panel with two cutouts for door panel hinges (HP Glass Series).
- H** Glass-to-Glass Hinge x2
- WB** Wall Bracket x2
- HB** Header Bracket (optional)
- K** Knob x1

Between hinge panel and top header, silicon beading is required.

**** All glass is 10mm clear toughened. ****

ELEVATION DRAWING

DESIGN 2 PANEL A INLINE SHOWER SERIES (technical drawings)

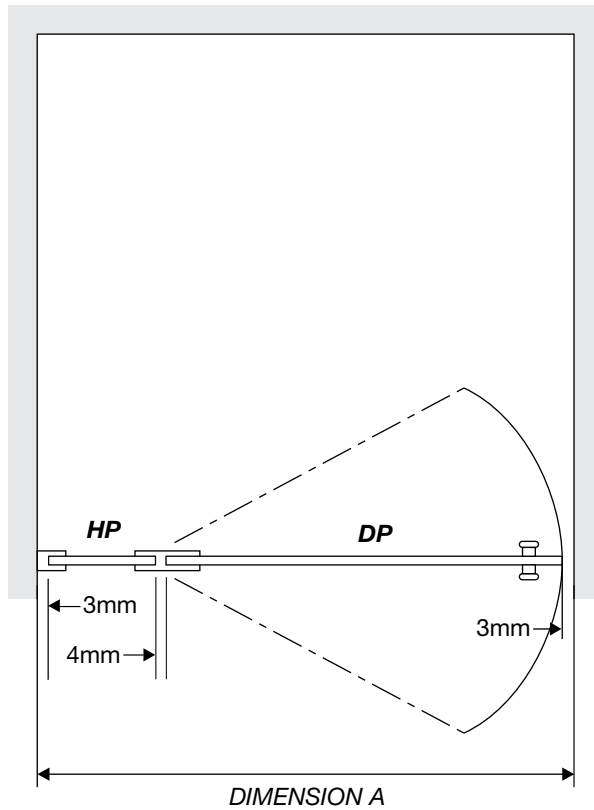


LEGEND

- | | |
|-----------|--|
| DP | Shower screen door glass panel with hinge cutouts and hole for selected door knob (DP Glass Series). |
| HP | Shower screen hinge glass panel with two cutouts for door panel hinges (HP Glass Series). |
| H | Glass-to-Glass Hinge x2 |
| WB | Wall Bracket x2 |
| HB | Header Bracket (optional) |
| K | Knob x1 |
- Between hinge panel and top header, silicon beading is required.*
- ** All glass is 10mm clear toughened. ****

ELEVATION DRAWING

2 PANEL A INLINE SHOWER SERIES (technical drawings)



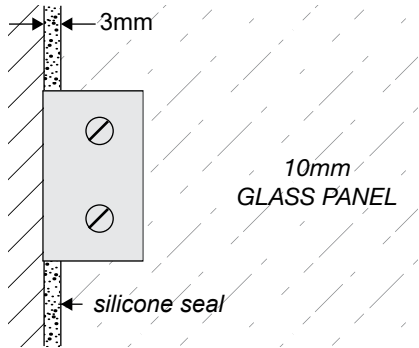
Dimension A, is the overall dimension including gaps between glass panels.

Between hinge panel and wall, silicon beading is required.

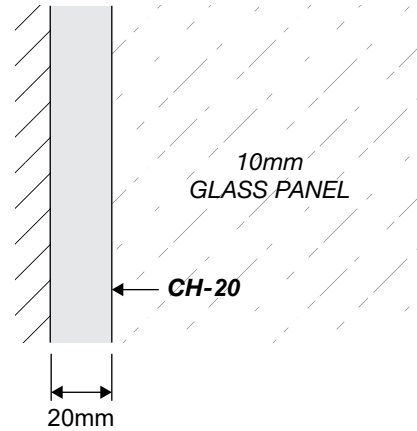
PLAN DRAWING

WALL/FLOOR MOUNTING APPLICATIONS

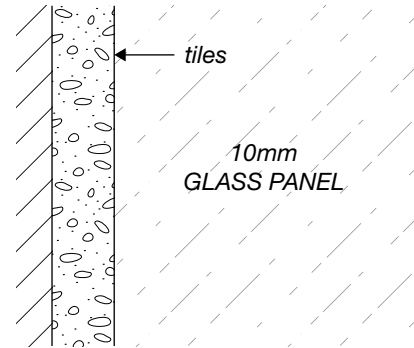
1/ CLAMP



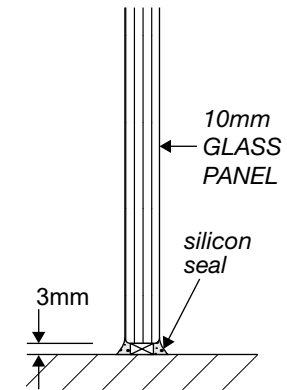
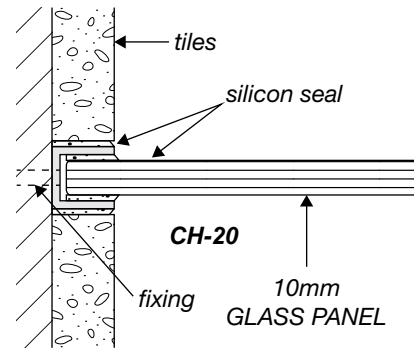
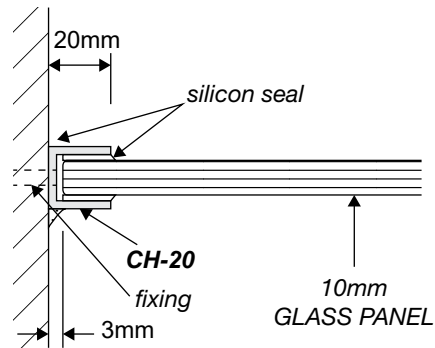
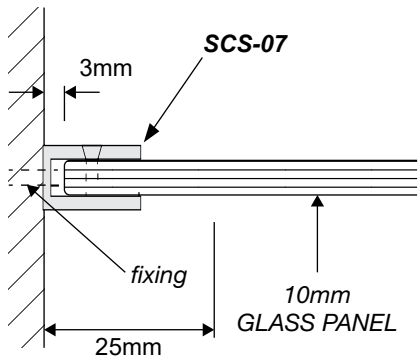
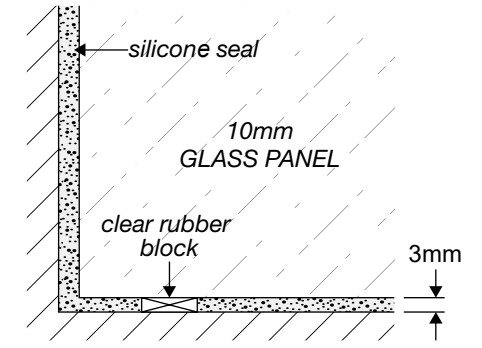
2/ CHANNEL



3/ REBATED CHANNEL (INTO TILES)



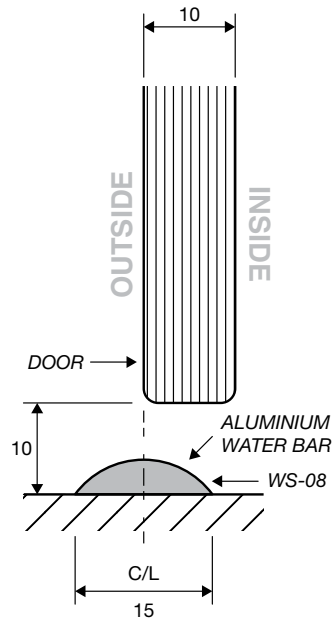
4/ GLASS-TO-FLOOR SEAL



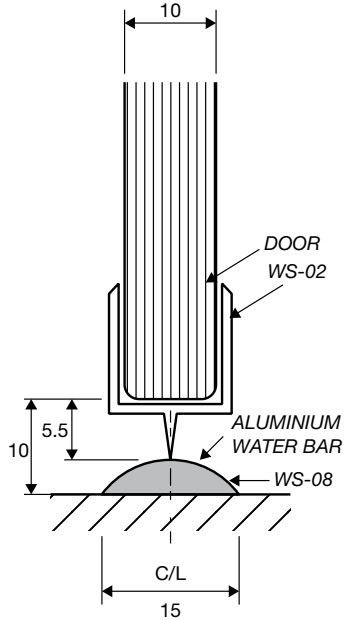
WALL MOUNT DRAWINGS

CLEAR WATER SEAL APPLICATIONS

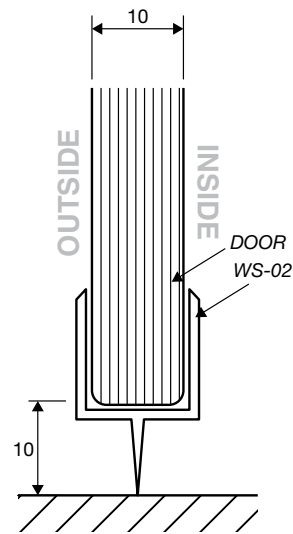
OPTION 1



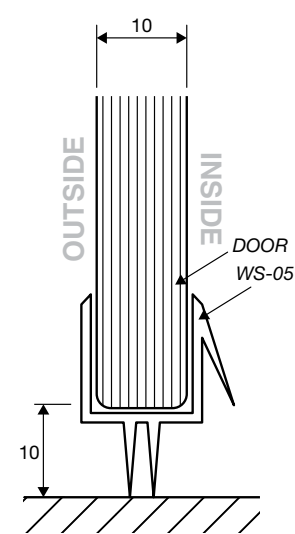
OPTION 2



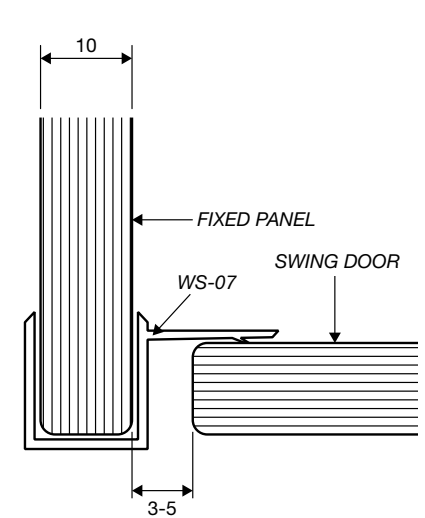
OPTION 3



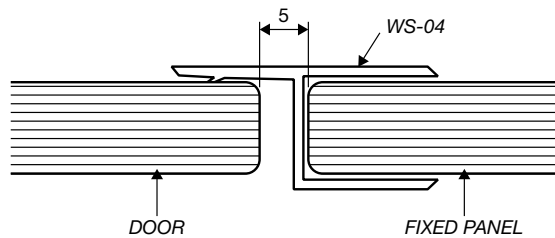
OPTION 4



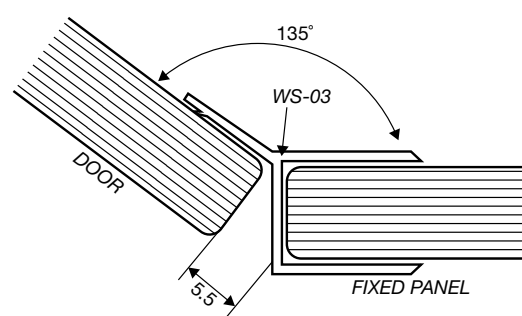
OPTION 5



OPTION 6 (FLOOR TO FIXED PANEL SEAL)



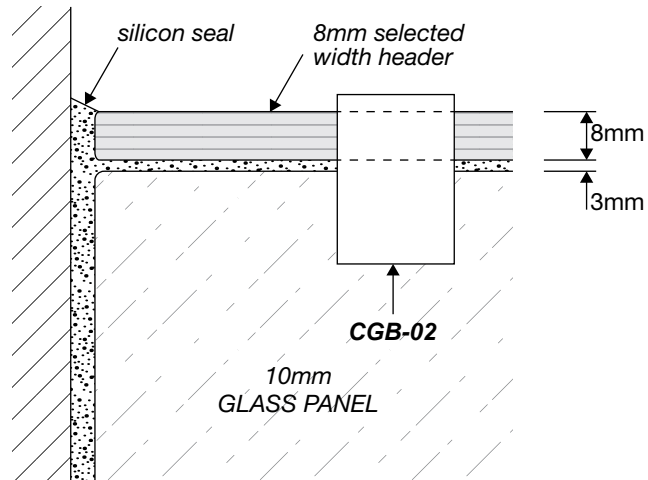
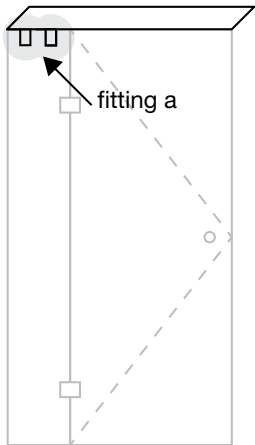
OPTION 7 (135° JOINT SEAL)



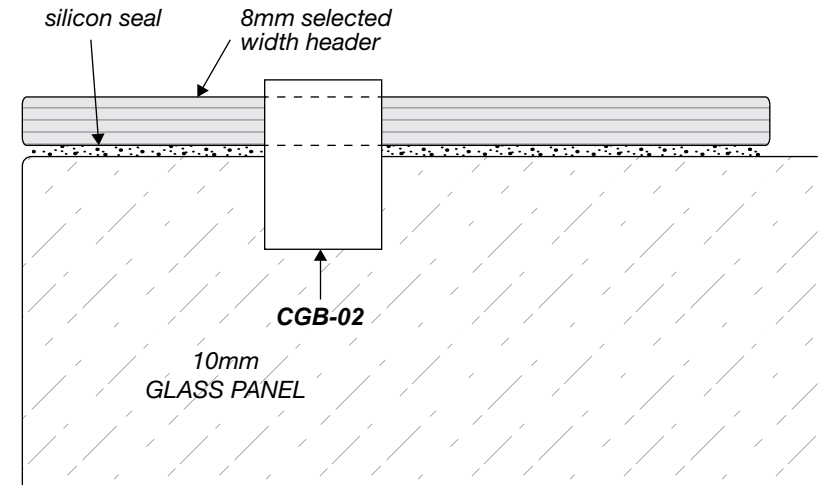
SEAL APPLICATION DRAWINGS

SHOWER HEADER APPLICATION

FITTING A



FITTING B



****Where fitting a is located, silicon beading is required.****